

STEAMIST®

Steam Generator

Models: TSG-15

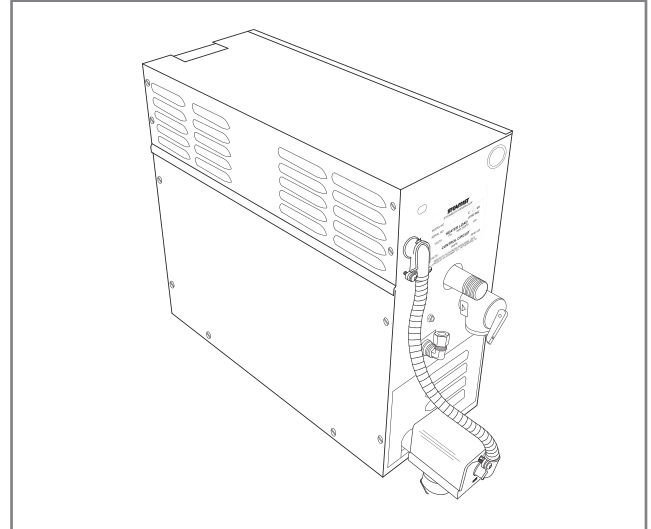
Features

5-year parts warranty - 2-year labor warranty
 Generator typically can be installed up to 25 ft. from the bathing area
 Diagnostic LED Displays
 Stainless Steel Construction
 Solid-State Circuitry

Codes/Standards

UL 499
 UL/CUL Listed

TSG-15



Steam Generator Specification Chart

Model Number	Product Number	KW Rating	Max. Cu. Ft. Range*	Volts/Phase/Max. Amps	Wire Size 90°C Copper AWG	Line Fuse	Dimensions L x W x H
TSG-15	1520 1521	15	550	240/1/63 208/1/72	4 4	80 90	20" x 8¼" x 18½"

* Refer to sizing guidelines to accurately determine the proper size generator for the installation.

Required Equipment

TSC Control

Required Electrical Service

Dedicated circuit required: See Specification Chart for proper electrical requirements

Product Information

Water Supply - ¾" Compression Fitting
 Steam Line - ¾" Brass BPT male thread
 Pressure Relief Valve - ¾" NPT female thread
 Drain Line - Capped ½" Brass NPT male thread

Generator

Weight - 55 lbs.

Installation Notes

Steam Generators can be typically mounted within 25 ft. of the bathing area.

Steam Generators should be accessible for service.

Do not install in attic.

Do not install generators outside, in a moist, humid area or in an area where parts may freeze or corrode.

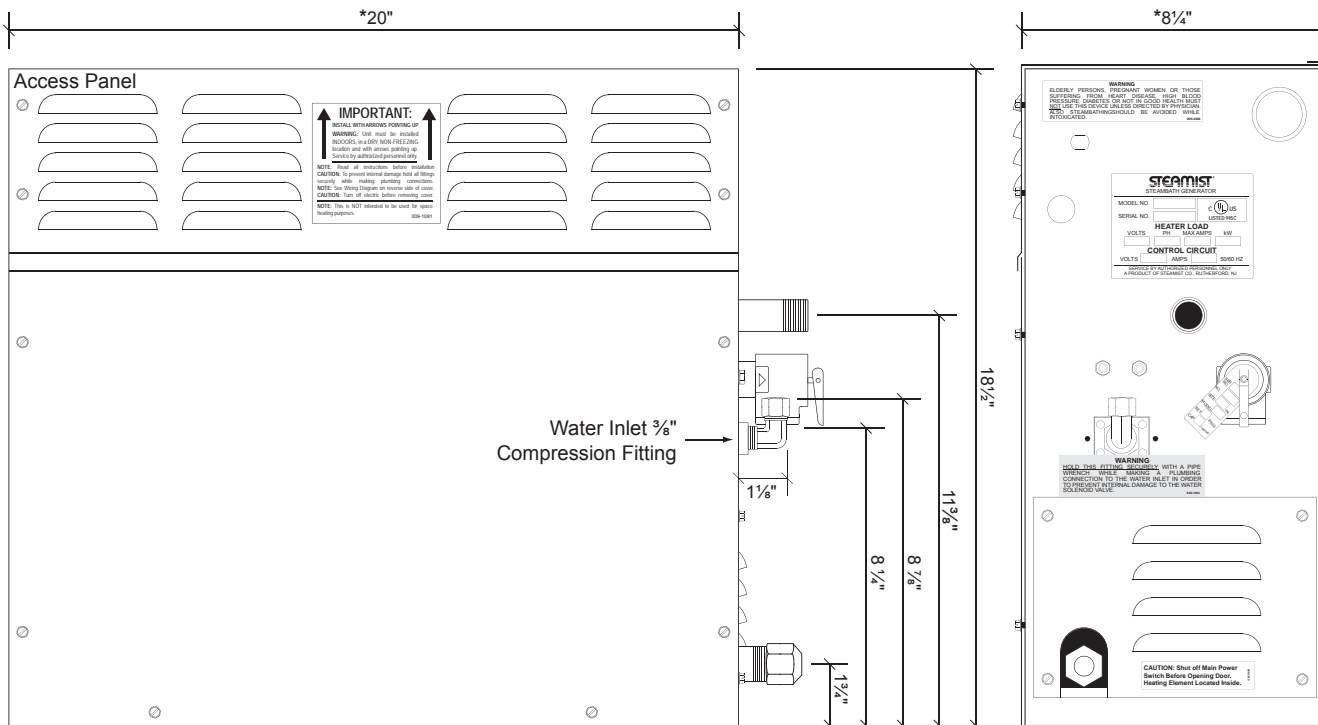
Steamhead to be mounted 18" above floor or 6" above rim of tub and as far from the seating area as possible.

Rough-in Notes

Access: 28" L x 20" W x 25" H (35" L with Auto Drain)

Dimensional Drawing

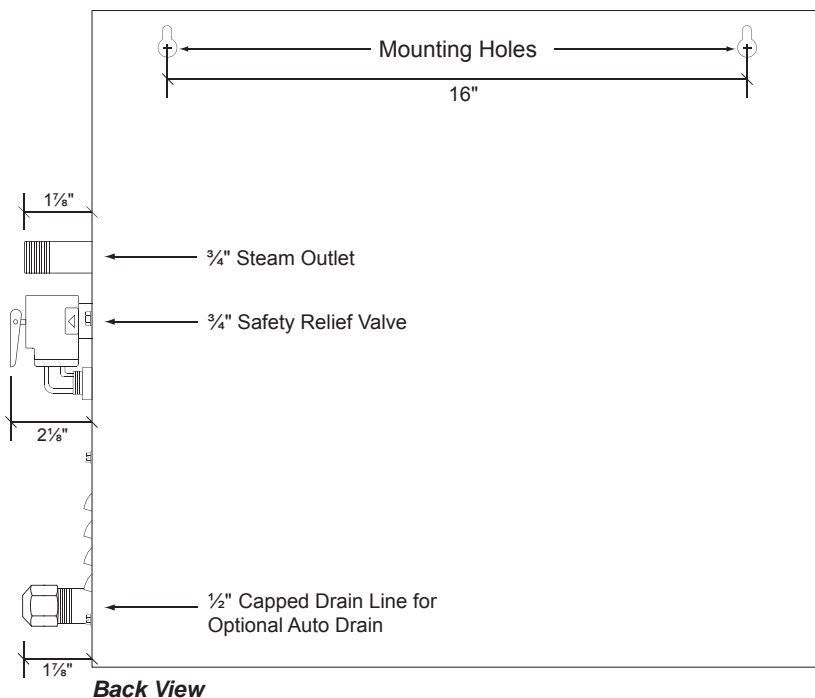
Models: TSG-15



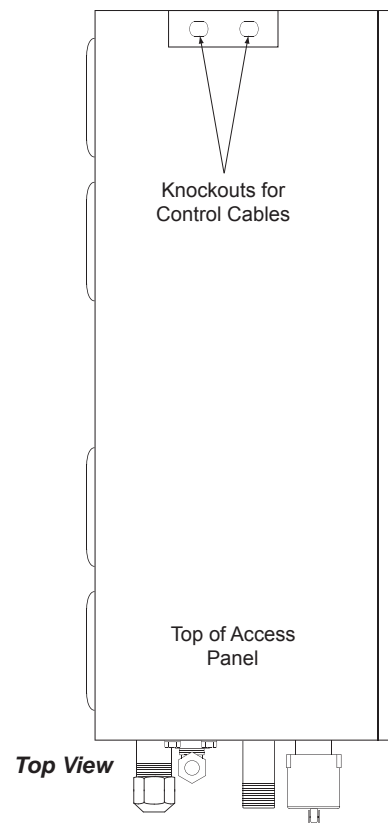
Front Access

Front Side View

* Add 1/4" to the dimension for the louvers



Back View



Top View



East Coast Office: 25 E. Union Ave., East Rutherford, NJ 07073 • Tel: 800-577-6478 • Fax: 201-933-0746
 West Coast Office: 315 W. Pondera St., Suite F, Lancaster, CA 93534 • Tel: 800-355-6478 • Fax: 661-940-1617