

STEAMIST®

Steam Generator

Model: TSG-10

Features

5-year parts warranty - 2-year labor warranty

Generator typically can be installed up to 25 ft. from the bathing area

Diagnostic LED Displays

Stainless Steel Construction

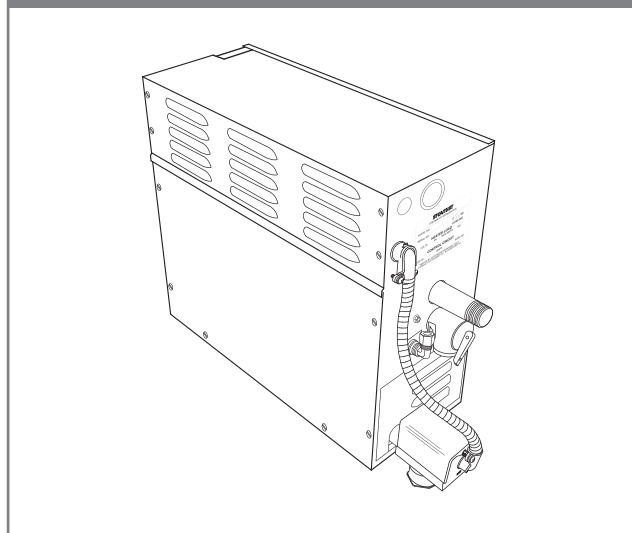
Solid-State Circuitry

Codes/Standards

UL 499

UL/CUL Listed

TSG-10



Steam Generator Specification Chart

Model Number	Product Number	KW Rating	Max. Cu. Ft. Range*	Volts/Phase/ Max. Amps	Wire Size 90°C Copper AWG	Line Fuse	Dimensions L x W x H
TSG-10	1020 1021	10	375	240/1/42 208/1/48	6 6	60 60	17½" x 6½" x 15½"

*Refer to sizing guidelines to accurately determine the proper size generator for the installation.

Required Equipment

TSC Control

Required Electrical Service

Dedicated circuit required: See Specification Chart for proper electrical requirements

Product Information

Water Supply - ¾" Compression Fitting

Steam Line - ¾" Brass BPT male thread

Pressure Relief Valve - ¾" NPT female thread

Drain Line - Capped ½" Brass NPT male thread

Generator

Weight - 40 lbs.

Installation Notes

Steam Generators can be typically mounted within 25 ft. of the bathing area.

Steam Generators should be accessible for service.

Do not install in attic.

Do not install generators outside, in a moist, humid area or in an area where parts may freeze or corrode.

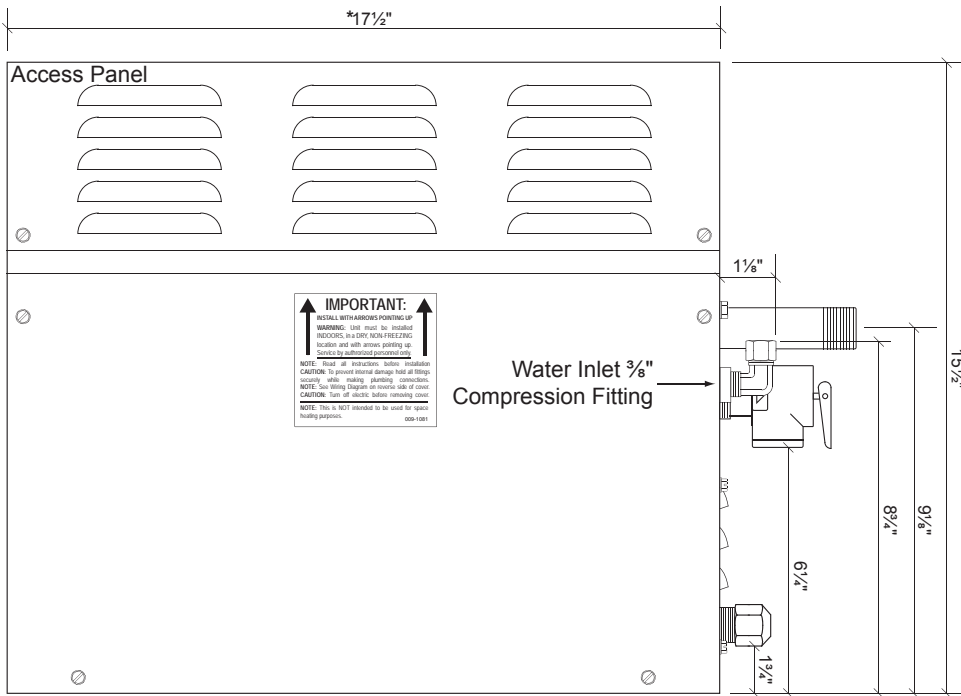
Steamhead to be mounted 18" above floor or 6" above rim of tub and as far from the seating area as possible.

Rough-in Notes

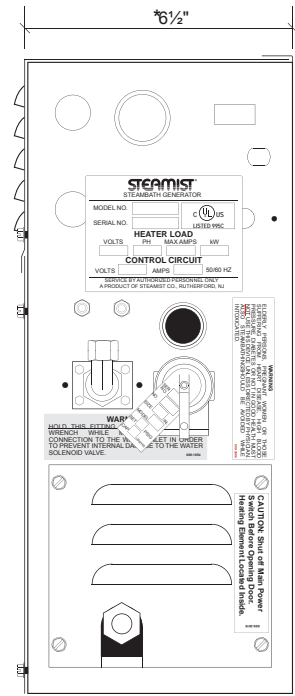
Access: 28" L x 18" W x 20" H (35" L with Auto Drain)

Dimensional Drawing

Model: TSG-10

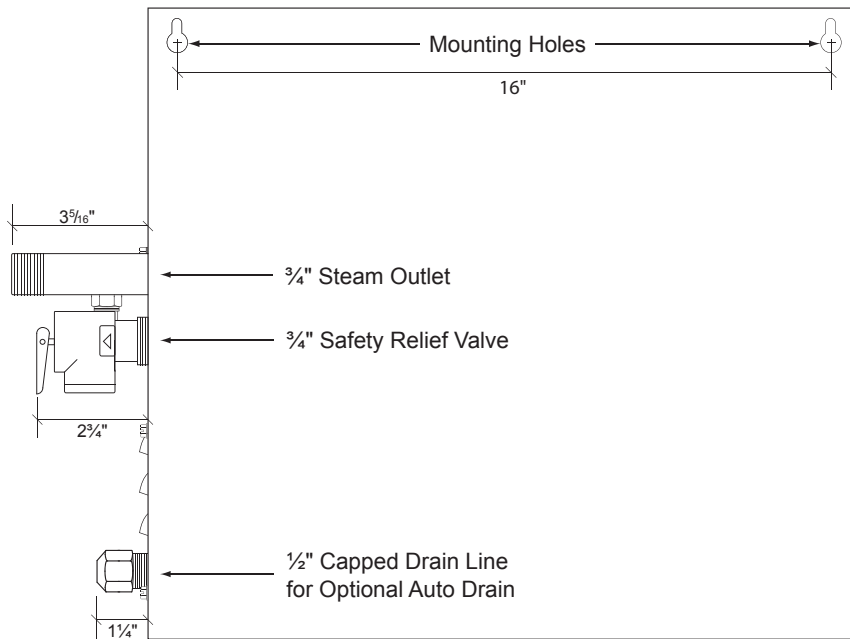


Front Access



Front Side View

*Add 1/4" to the dimension for the louvers



Back View

